



BISON

STEEL BUILDINGS



Quality, Strength, & Service at Factory-Direct Prices



Factory Direct Huge Savings

Our buildings are manufactured entirely in the United States with a 25 year steel mill backed guarantee.

Bison is recognized as the industry leader in providing superior quality, service, and durability at the lowest prices.

If you need to build a simple garage or workshop, a warehouse, an industrial or commercial complex, a shelter for grain and livestock, an airplane hanger, a horse riding arena, or even a worship space and family center, the skilled professionals at Bison can make it happen at the best available price.





Bison Steel Buildings are used in a variety of ways. View our most popular building designs on the following pages. Call today and have our expert building consultants design your custom building, suitable for almost any application you can dream of.

Commercial	4
Churches	5
Steel Horse Barns	6
Farming	7
Trucking	8
Industry	9
Aviation	10
Warehousing	11
Garages & Workshops	12
Our Factory	13
Framing	14
Color Chart & Panels	16

No Middleman

- Direct Delivery Coast To Coast
- Complete In-House Engineering And Drafting Services
- Courteous Building Professionals Will Help You Bring in Your Building on Budget and on Time!
- Galvanized Girts and Purlins
- Save 50% to 60% Over Traditional Construction Costs
- Totally Integrated Manufacturing Facility Produces a Complete Pre-engineered Steel Building
- 25-Year, Steel Mill Backed, Rust-Through Perforation Warranty on AZ55 Galvalume Roof
- 25-Year Warranty Against Rust on Stainless Steel Capped Roof Screws



Call Today!

1-888-832-4766



Call today! Our expert building consultants are standing by 24 HOURS A DAY - to answer your questions - get you THE LOWEST POSSIBLE PRICE - and help you choose the Bison building that suits your needs!

Commercial



Bison's expert building consultants will recommend the perfect building for your needs. It doesn't matter if you need a building for a small retail store, or a giant office complex for a Fortune 500 Company.

Our engineers can design a building of any size, suitable for any need imaginable. These buildings are virtually maintenance-free and built to withstand the worst that Mother Nature has to offer.



Churches



If your congregation needs a new worship space, family center, gymnasium, or classrooms, Bison can custom design the building to meet your needs. In addition, Bison's strict quality control department ensures that all buildings meet or surpass local building codes.



Call Today!

1-888-832-4766



Call today! Our expert building consultants are standing by 24 HOURS A DAY - to answer your questions - get you THE LOWEST POSSIBLE PRICE - and help you choose the Bison building that suits your needs!

Horse Barns & Arenas



Bison buildings make good horse sense! Bison can design a custom arena or stall complex to your exact specifications. With a 25 year warranty, easy bolt-up rigid frame construction, and plenty of room for workshops and offices, you've got Bison's TRIPLE CROWN guarantee.

25
year guarantee





Farming

Your equipment, grain, livestock, and other valuable investments are safe, even from the harshest weather conditions, with an Bison Steel building. Our buildings give you that sense of security because they are engineered and built to the highest standards of quality.



Call Today!

1-888-832-4766



Call today! Our expert building consultants are standing by 24 HOURS A DAY - to answer your questions - get you THE LOWEST POSSIBLE PRICE - and help you choose the Bison building that suits your needs!

Trucking



Need some big steel for that big rig? When a single truck costs thousands of dollars, it makes sense to keep it protected. Bison buildings are built super-tough, to withstand years of heavy use. Because they can be expanded to virtually any length, these buildings are extremely cost effective as your fleet grows.



Call Today!

1-888-832-4766



Call today! Our expert building consultants are standing by 24 HOURS A DAY - to answer your questions - get you THE LOWEST POSSIBLE PRICE - and help you choose the Bison building that suits your needs!

Industry

Bison is committed to serving United States industry. Our buildings are constructed entirely of the highest grade US steel available today. No factory is too large, no requirement is too complex for our engineers. Speak with an expert building consultant today to get a great price for your custom-built industrial use building.





Aviation



No need to clip your wings after you've earned them! Bison's engineers can design your new hangar with column free interiors up to 200 feet wide with unlimited lengths.

Combined with easy construction, extreme durability, and the ability to expand your building any time, Bison buildings can make your wide blue yonders brighter than ever before.



25
year guarantee



Call Today!

1-888-832-4766



Call today! Our expert building consultants are standing by 24 HOURS A DAY - to answer your questions - get you THE LOWEST POSSIBLE PRICE - and help you choose the Bison building that suits your needs!

Warehousing

Bison is the solution to your warehousing woes. Our buildings save you time and money by reducing traditional construction time associated with brick, wood, or block structures. Each building is fully customizable with a variety of ceiling lights, windows, insulation, doors, and more.



Garages & Workshops



Keeping your car or truck sheltered from damaging rain, snow and sun has never been so easy and cost effective.

Our residential steel garages go up faster than traditional brick or wood frame garages. With ten vivid colors and four matching trim colors, it's easy to match your home's exterior.



If you have always dreamed of having your own garage or backyard workshop, let us help you today.





Our Factory

Bison's manufacturing facility is one of the most sophisticated in the steel building industry. Our engineers, advanced computer technologies, and precise machinery exemplify our commitment to quality.

Because our factory is automated using CNC technology, we are able to produce higher quality components in less time than our competitors which allows us to pass substantial savings to you.



Call Today!

1-888-832-4766

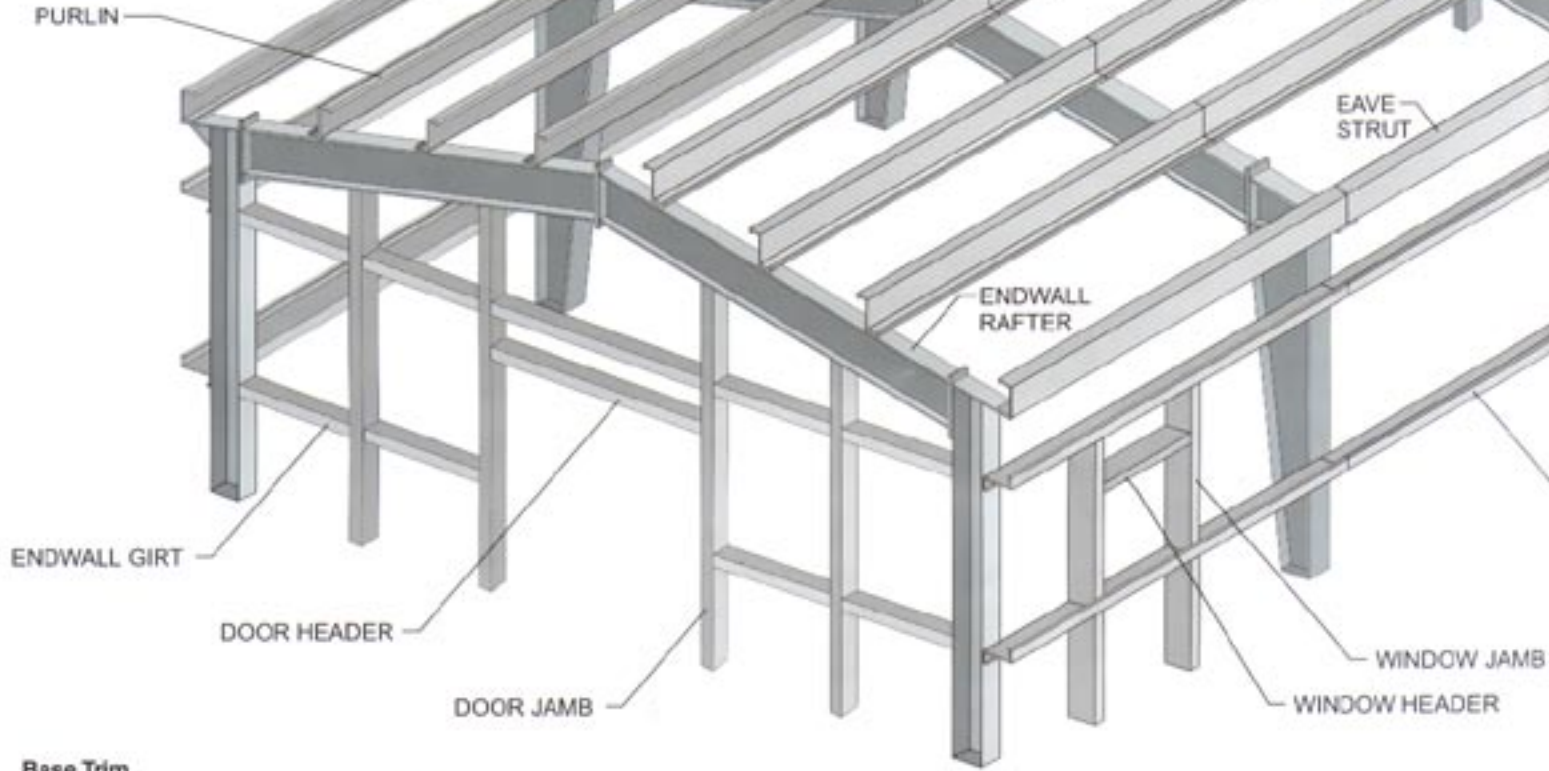


Call today! Our expert building consultants are standing by 24 HOURS A DAY - to answer your questions - get you THE LOWEST POSSIBLE PRICE - and help you choose the Bison building that suits your needs!

Framing

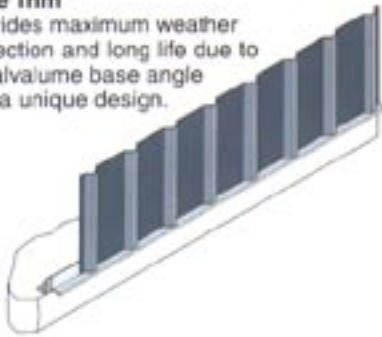
Bison's buildings come with a 25 year warranty on AZ55 galvalume roof panels, stainless steel roof fasteners, and the siliconized polyester colored coating for walls and trim.

All metal buildings come standard with galvanized girts and purlins and extended weather tight PBR roof panels.



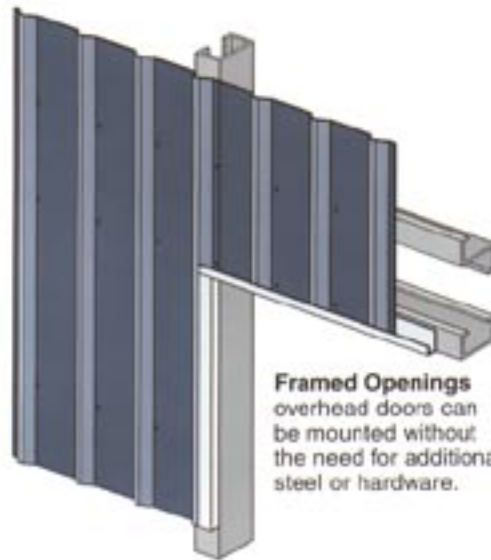
Base Trim

Provides maximum weather protection and long life due to a Galvalume base angle and a unique design.



Corner Trim

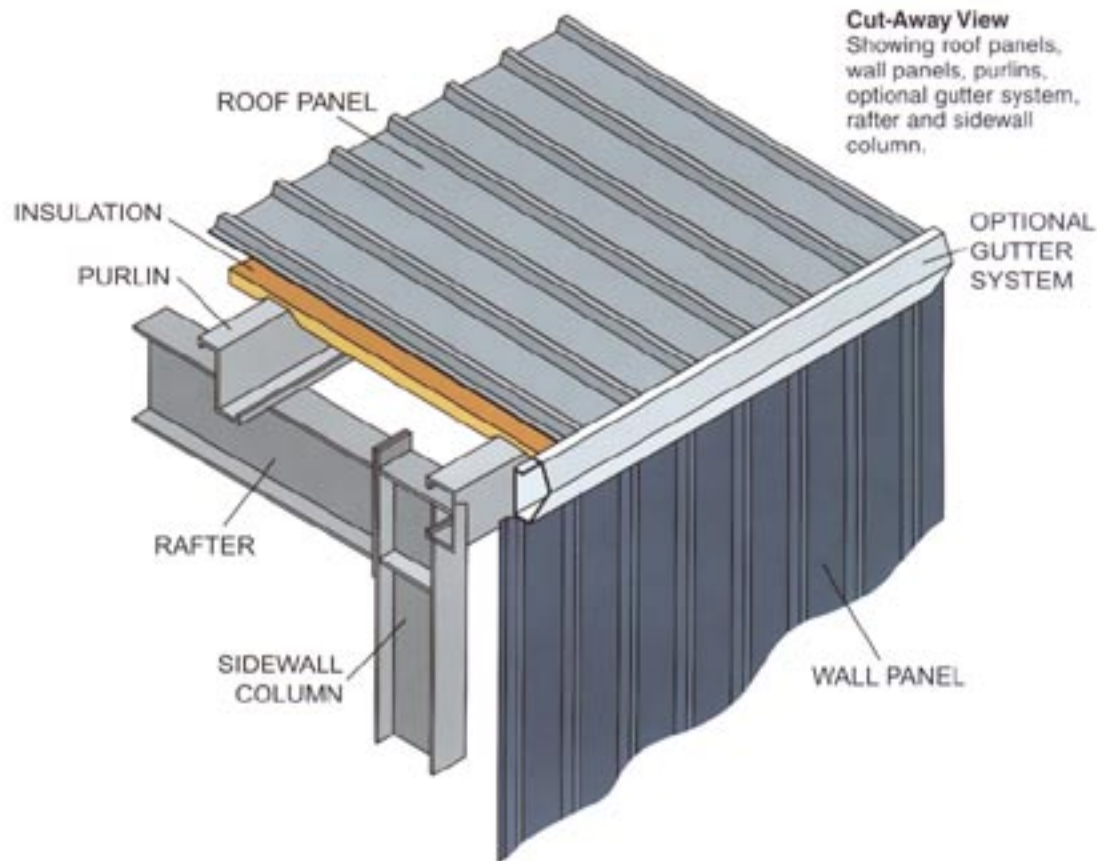
An oversized design and rigid-rib construction results in beauty and strength.



Framed Openings
overhead doors can be mounted without the need for additional steel or hardware.

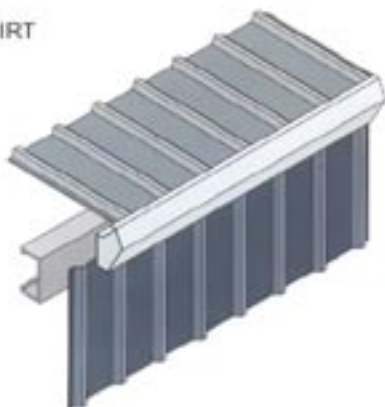


Roof Panels
Rigid rib panels are designed for long-life and are pre-cut to building dimensions.

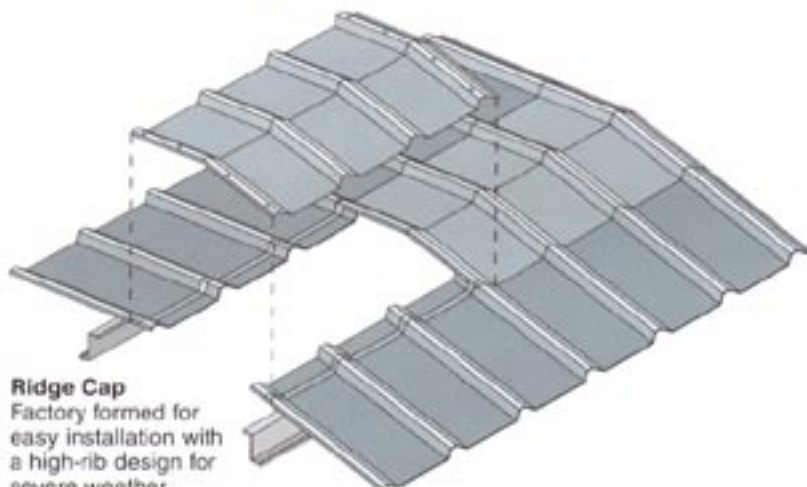


Cut-Away View
Showing roof panels, wall panels, purlins, optional gutter system, rafter and sidewall column.

SIDEWALL GIRT



Gutter System (optional)
The contour design efficiently controls drainage from rain and snow over doors.



Ridge Cap
Factory formed for easy installation with a high-rib design for severe weather.

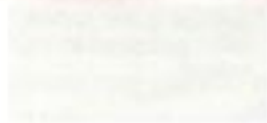


Ridge Cap With Peak Box
Factory formed for easy installation. High-rib design for severe weather.



Eave Trim
Oversized architectural trim combines with roof and wall closures.

Panel Colors



POLAR WHITE



LIGHTSTONE



PEARL GRAY



SLATE GRAY



HAWAIIAN BLUE



SAND GOLD



SAHARA TAN



RUSTIC RED



BURNISHED SLATE



FERN GREEN

Bison buildings are precision coated with Akzo Nobel paints, a leading producer of paints, finishes and synthetic resins for industrial applications. Choose from **ten standard panel colors** (above) and **four standard trim colors** (below).



POLAR WHITE



LIGHTSTONE



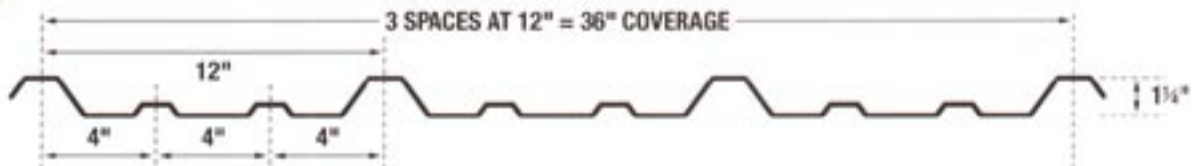
BURNISHED SLATE



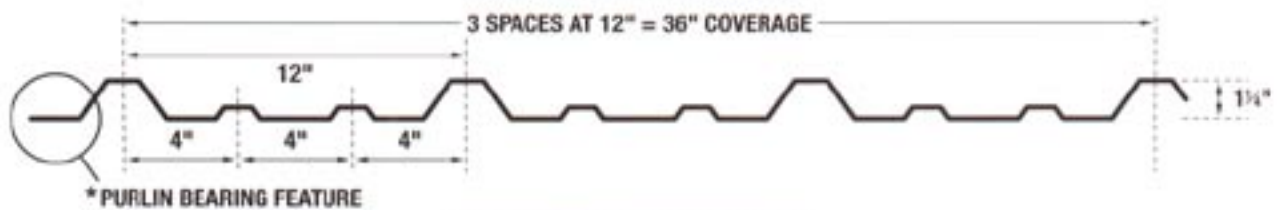
FERN GREEN

Panels

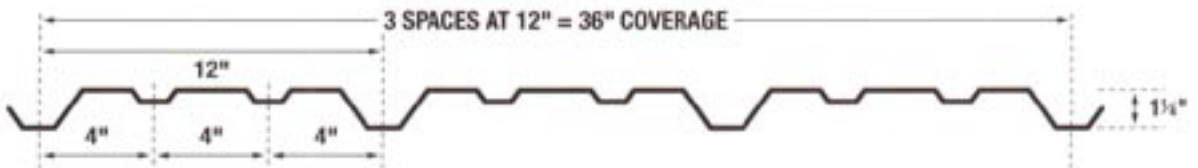
"R" PANEL



"PBR" PANEL



"REVERSE R" PANEL



Our 26 gauge Purlin Bearing Rib Panels are far stronger than the commonly used "R" roof panels because they have an extended overlap to provide a leak proof seal. PBR roof panels come standard on all Bison steel buildings.

BISON
STEEL BUILDINGS
1-888-832-4766